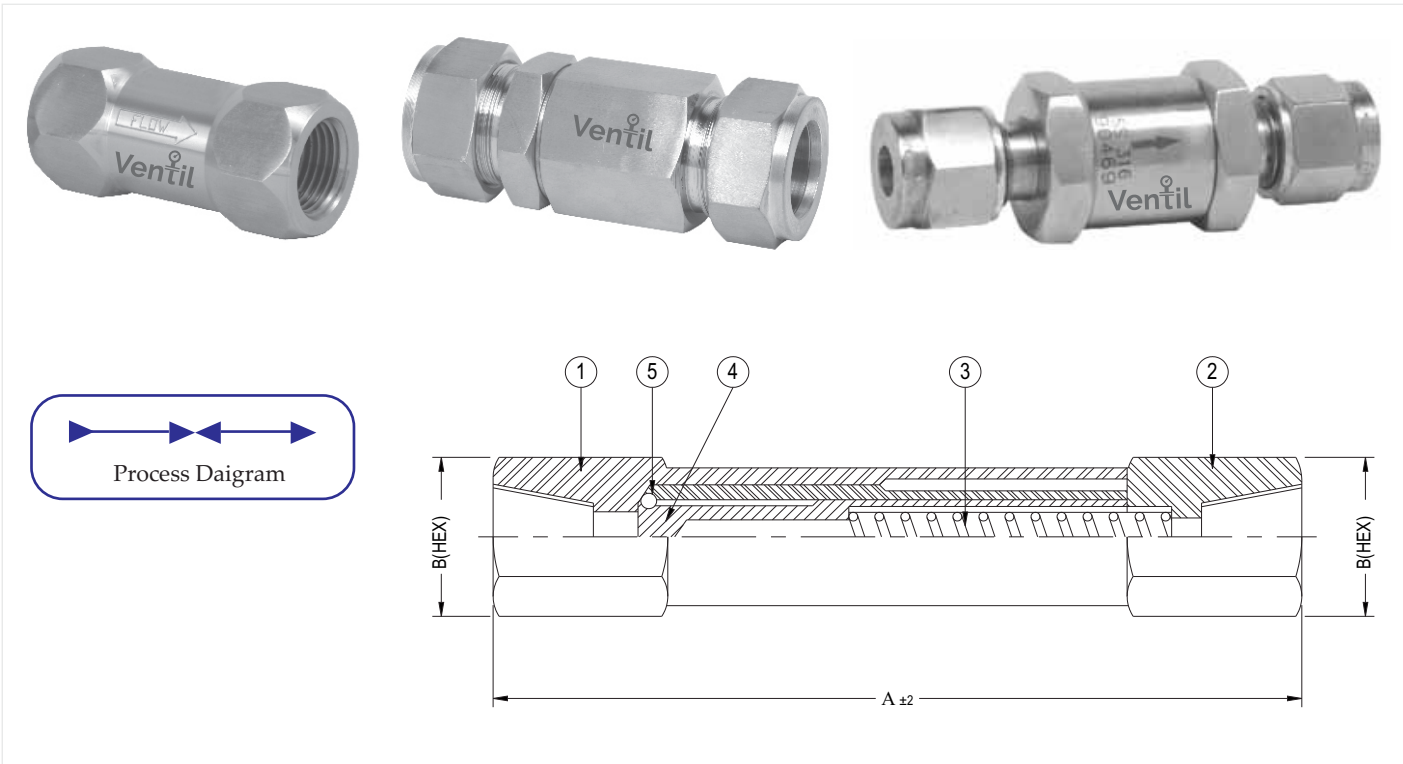


CHECK VALVE (NON RETURN VALVE)



DIMENSIONS

SR No	Description	Qty	Materials
5	"O" Ring	1	Viton
4	Poppet	1	SS 304 / SS 316
3	Spring	1	SS 304 / SS 316
2	Adaptor	1	SS 304 / SS 316
1	Body	1	SS 304 / SS 316

Size	A	B
1/4" - F x F	62	19
3/8" - F x F	72	22
1/2" - F x F	78	27
3/4" - F x F	86	32
1" - F x F	100	36
1 1/4" - F x F	110	50
1 1/2" - F x F	120	56
2" - F x F	130	62

Pressure : up to 6000 psi
 Temperature : p to 4000C